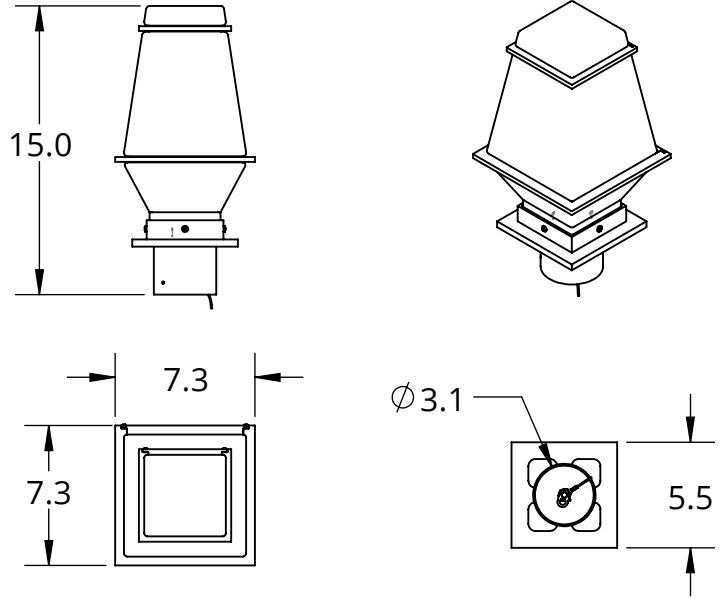


All dimensions are shown in inches unless otherwise stated.



Mounting Method:Mounts Directly to Post

## PRODUCT DESCRIPTION

A versatile vintage look that suits a wide range of transitional architectures, the Landmark Post Mount features a large artisan blown glass shade with a clear chilled texture. It is offered with both incandescent and AC LED lamping.

Choose from three AAMA 2604-rated finishes that provide long-lasting UV and corrosion resistance in coastal and other harsh climates. All Landmark lighting includes a lifetime warranty to the original purchaser.

## PRODUCT SPECIFICATION

Construction:Aluminum Body With Blown Glass

Finish Options: **AG** **SB** **TB**

Glass Types: **HC**

Suspension Method:Post Mount

Weight(lbs.): 5

UL Rating:Wet

Top Diffuser: Closed Glass

Bottom Diffuser:Closed

Light Source:LED

Electrical Qty:1

Wattage (Watts):4.5

Voltage (Volts):120

Source Lumens:400

Dimming:ELV to 1%

CCT: 3000K

Driver Quantity & Location:1, in Post

CRI: 93+

Power Factor: >0.9

**ArtisanCrafted**  
The Art of Inspired Living and Custom Design

[INFO@ARTISANCRAFTED.com](mailto:INFO@ARTISANCRAFTED.com)

T: 360.321.2131 | F: 360.321.2585 | PO BOX 1030 | LANGLEY, WA 98260